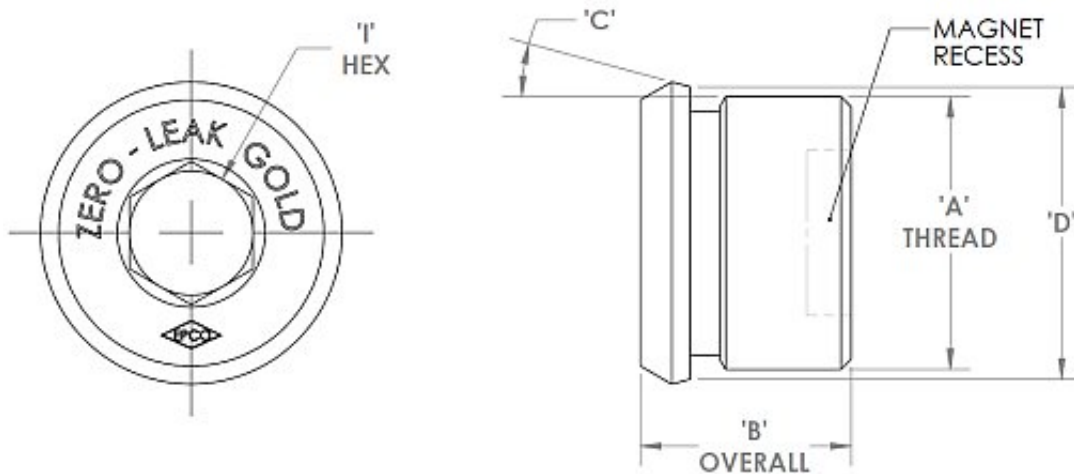


# Zero-Leak Gold® (SAE J514 / English) magnetic socket head plug

Which are interchangeable with plugs used in SAE J1926 standard ports.



**Reference Dimensions**  
(7/29/2013)

EPCO PART NO.			SIZE	"A" UN 2A THREAD	"B" +.02 -.02	"C" -1/2 +0	"D" +.003 -.003	"I" +.005 -.000	O-RING SIZE	MAGNET*	
12L14 Steel	316 Stainless	6000 Series Alum								SIZE	TYPE
22S-S02M	22S-SS02M	22S-A02M	02	5/16" - 24	.38	12	.348	.125	6.0 x 1.5		
22S-S03M	22S-SS03M	22S-A03M	03	3/8" - 24	.38	12	.411	.125	7.0 x 1.5		
22S-S04M	22S-SS04M	22S-A04M	04	7/16" - 20	.45	12	.477	.188	8.0 x 1.5		
22S-S05M	22S-SS05M	22S-A05M	05	1/2" - 20	.45	12	.540	.188	10.0 x 1.5		
22S-S06M	22S-SS06M	22S-A06M	06	9/16" - 18	.48	12	.606	.250	12.1 x 1.6		
22S-S08M	22S-SS08M	22S-A08M	08	3/4" - 16	.56	15	.800	.313	15.6 x 1.78		
22S-S10M	22S-SS10M	22S-A10M	10	7/8" - 14	.63	15	.930	.375	18.0 x 2.0		
22S-S12M	22S-SS12M	22S-A12M	12	1-1/16" - 12	.75	15	1.130	.563	22.3 x 2.4		
22S-S14M	22S-SS14M	22S-A14M	14	1-3/16" - 12	.75	15	1.263	.563	26.0 x 2.5		
22S-S16M	22S-SS16M	22S-A16M	16	1-5/16" - 12	.75	15	1.385	.625	27.0 x 2.5		
22S-S20M	22S-SS20M	22S-A20M	20	1-5/8" - 12	.75	15	1.697	.750	35.0 x 2.5		
22S-S24M	22S-SS24M	22S-A24M	24	1-7/8" - 12	.75	15	1.946	.750	41.0 x 2.5		
22S-S32M	22S-SS32M	22S-A32M	32	2-1/2" - 12	.75	15	2.572	.750	55.0 x 2.5		

### Zero-Leak Gold® Plugs

EPCO Products, Inc. • PO Box 9250 • Fort Wayne, Indiana 46899 • 800-879-3726  
www.zeroleak.com • Email: info@zeroleak.com

\*Magnet size and type to be determined by application

All contents Copyright 2014 EPCO Products, Inc. All Rights Reserved.