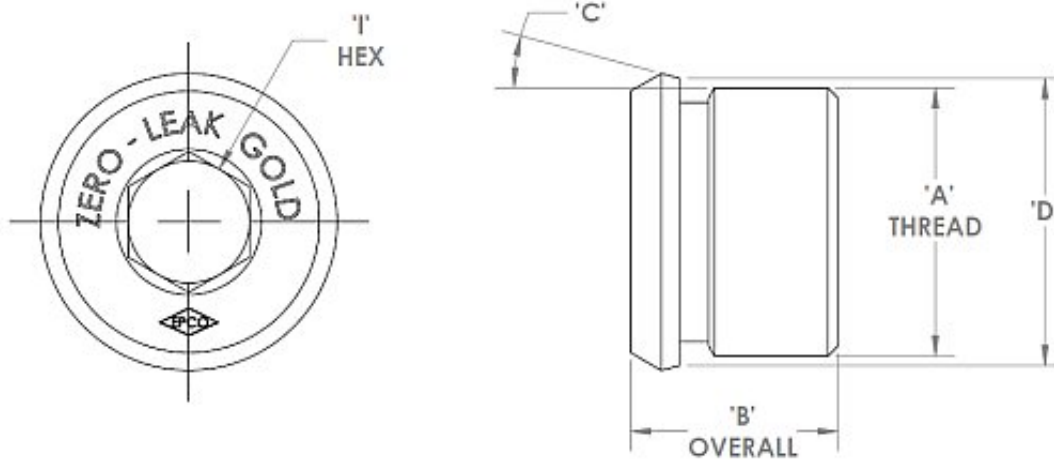


Zero-Leak Gold® socket head metric

Thread port plugs which are interchangeable for plugs used with ISO 6149 standard ports.



Reference Dimensions
(12/15/2014)

EPCO PART NO.			TUBE SIZE	"A" METRIC THREAD	"B" +.50 -.50	"C" +0 -1/2	"D" +.15 -.00	"I" HEX SIZE	O-RING SIZE
12L14 Steel	316 Stainless	6000 Series Alum							
MS-S01	MS-SS01	MS-A01	3MM	M5 x 0.8	9.6	12°	5.70	2.5	3.0mm x 1.0
MS-S02	MS-SS02	MS-A02	5MM	M8 x 1.0	9.1	12°	8.85	3.0	5.0mm x 1.5
MS-S03	MS-SS03	MS-A03	6MM	M10 x 1.0	9.3	12°	10.85	5.0	7.0mm x 1.5
MS-S04	MS-SS04	MS-A04	8MM	M12 x 1.5	11.3	15°	13.55	6.0	9.0mm x 2.0
MS-S05	MS-SS05	MS-A05	10MM	M14 x 1.5	11.3	15°	15.55	6.0	11.0mm x 2.0
MS-S06	MS-SS06	MS-A06	12MM	M16 x 1.5	14.0	15°	17.55	8.0	13.0mm x 2.0
MS-S07	MS-SS07	MS-A07	14MM	M18 x 1.5	15.3	15°	19.55	8.0	15.0mm x 2.0
MS-S08	MS-SS08	MS-A08	18MM	M22 x 1.5	17.0	15°	23.55	10.0	19.0mm x 2.0
MS-S09	MS-SS09	MS-A09	20MM	M27 x 1.5	20.0	15°	29.15	10.0	24.0mm x 2.5
MS-S10	MS-SS10	MS-A10	20MM	M27 x 2.0	20.0	15°	29.15	12.0	24.0mm x 2.5
MS-S11	MS-SS11	MS-A11	22MM	M33 x 1.5	20.0	15°	35.15	12.0	30.0mm x 2.5
MS-S12	MS-SS12	MS-A12	22MM	M33 x 2.0	20.0	15°	35.15	12.0	30.0mm x 2.5
MS-S13	MS-SS13	MS-A13	25MM	M42 x 1.5	20.5	15°	44.15	22.0	39.0mm x 2.5
MS-S14	MS-SS14	MS-A14	25MM	M42 x 2.0	20.5	15°	44.15	22.0	39.0mm x 2.5
MS-S15	MS-SS15	MS-A15	35MM	M48 x 2.0	22.0	15°	50.15	20.0	45.0mm x 2.5
MS-S16	MS-SS16	MS-A16	45MM	M60 x 2.0	25.0	15°	62.15	20.0	57.0mm x 2.5

Zero-Leak Gold® Plugs

EPCO Products, Inc. • PO Box 9250 • Fort Wayne, Indiana 46899 • 800-879-3726
www.zeroleak.com • Email: info@zeroleak.com
All contents Copyright 2014 EPCO Products, Inc. All Rights Reserved.