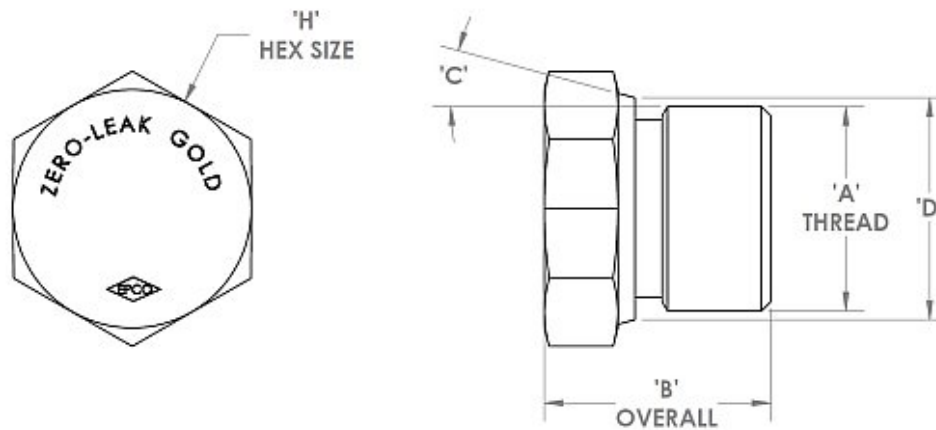


# Zero-Leak Gold® hex-head metric

Thread port plugs which are interchangeable for plugs used with ISO 6149 standard ports.



**Reference Dimensions**  
(7/11/2013)

EPCO PART NO.			TUBE SIZE	"A" METRIC THREAD	"B" +.50 -.50	"C" +0 -1/2	"D" +.15 -.00	"I" HEX SIZE	O-RING SIZE
12L14 Steel	316 Stainless	6000 Series Alum							
MH-S01	MH-SS01	MH-A01	3MM	M5 x 0.8	11.0	12°	5.70	7.0	3.0mm x 1.0
MH-S02	MH-SS02	MH-A02	5MM	M8 x 1.0	12.0	12°	8.85	10.0	5.0mm x 1.5
MH-S03	MH-SS03	MH-A03	6MM	M10 x 1.0	12.0	12°	10.85	12.0	7.0mm x 1.5
MH-S04	MH-SS04	MH-A04	8MM	M12 x 1.5	16.0	15°	13.55	15.0	9.0mm x 2.0
MH-S05	MH-SS05	MH-A05	10MM	M14 x 1.5	16.0	15°	15.55	17.0	11.0mm x 2.0
MH-S06	MH-SS06	MH-A06	12MM	M16 x 1.5	19.0	15°	17.55	19.0	13.0mm x 2.0
MH-S07	MH-SS07	MH-A07	14MM	M18 x 1.5	20.0	15°	19.55	21.0	15.0mm x 2.0
MH-S08	MH-SS08	MH-A08	18MM	M22 x 1.5	21.0	15°	23.55	25.0	19.0mm x 2.0
MH-S09	MH-SS09	MH-A09	20MM	M27 x 1.5	24.0	15°	29.15	32.0	24.0mm x 2.5
MH-S10	MH-SS10	MH-A10	20MM	M27 x 2.0	24.0	15°	29.15	32.0	24.0mm x 2.5
MH-S11	MH-SS11	MH-A11	22MM	M33 x 1.5	24.0	15°	35.15	37.0	30.0mm x 2.5
MH-S12	MH-SS12	MH-A12	22MM	M33 x 2.0	24.0	15°	35.15	37.0	30.0mm x 2.5
MH-S13	MH-SS13	MH-A13	25MM	M42 x 1.5	25.0	15°	44.15	50.0	39.0mm x 2.5
MH-S14	MH-SS14	MH-A14	25MM	M42 x 2.0	25.0	15°	44.15	50.0	39.0mm x 2.5
MH-S15	MH-SS15	MH-A15	35MM	M48 x 2.0	28.0	15°	50.15	54.0	45.0mm x 2.5
MH-S16	MH-SS16	MH-A16	45MM	M60 x 2.0	31.0	15°	62.15	64.0	57.0mm x 2.5

## Zero-Leak Gold® Plugs

EPCO Products, Inc. • PO Box 9250 • Fort Wayne, Indiana 46899 • 800-879-3726  
www.zeroleak.com • Email: info@zeroleak.com

All contents Copyright 2014 EPCO Products, Inc. All Rights Reserved.